

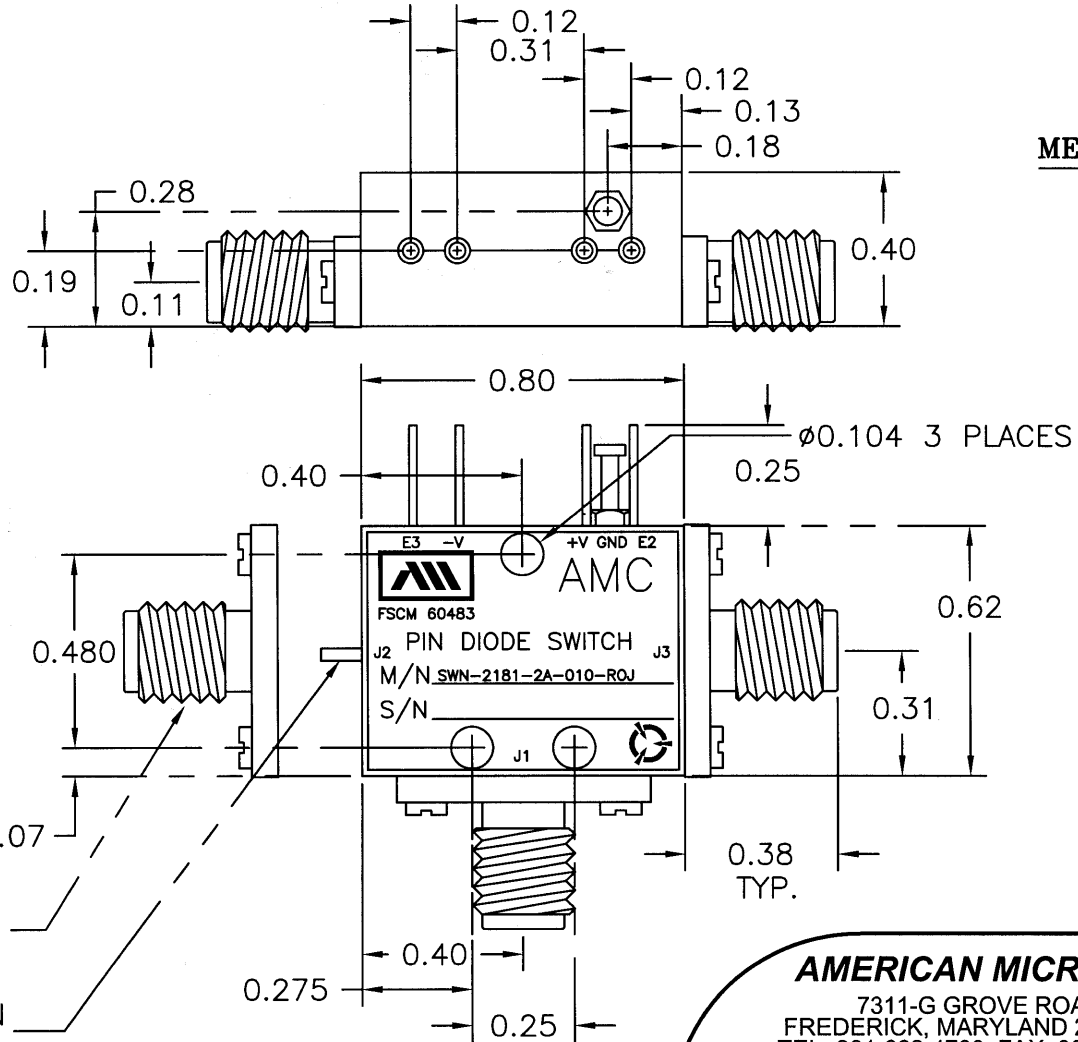
# DESCRIPTION

AMC MODEL SWN-2181-2A-010-ROJ IS AN ABSORPTIVE/NON-REFLECTIVE SINGLE POLE TWO THROW SWITCH DESIGNED TO OPERATE OVER THE FULL 2 TO 18 GHz FREQUENCY RANGE WITH

REVISIONS				
ZONE	REV.	DESCRIPTION	DATE	APPROVED
-	-	ORIGINAL RELEASE JOB# 502060X	9/19/05	

LOGIC TABLE			
LOGIC	RF ON	RF OFF	
0	J1-J2	J1-J3	
1	J1-J3	J1-J2	

## MECHANICAL OUTLINE



REMOVABLE SMA FEMALE CONNECTOR 3 PLACES.

0.015 RF PIN 3 PLACES.

ALL DIMENSIONS ARE IN INCHES  
 TOLERANCES:  
 X.XX ±0.020  
 X.XXX ±0.010

### AMERICAN MICROWAVE CORPORATION

7311-G GROVE ROAD  
 FREDERICK, MARYLAND 21704 USA  
 TEL: 301-662-4700 FAX: 301-662-4938  
 WEBSITE: [www.americanmicrowavecorp.com](http://www.americanmicrowavecorp.com)  
 E-MAIL: [sales@americanmicrowavecorp.com](mailto:sales@americanmicrowavecorp.com)  
 ISO 9001:2000 CERTIFIED



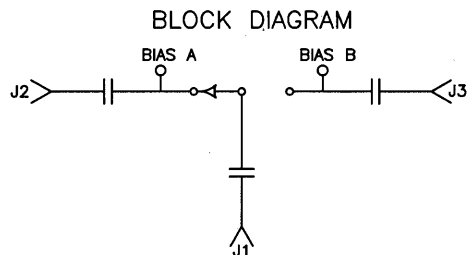
APPROVALS		DATE	TITLE			
DRAWN <i>gdf</i>		3/19/05	MECHANICAL OUTLINE			
CHECKED			SWN-2181-2A-010-ROJ			
ISSUED			2 - 18 GHz. SINGLE POLE TWO THROW SWITCH			
SIZE	FSCM NO.	DWG NO.				
A	60483	100-7387				
SCALE N:S			SHEET 2 OF 3			

## DESCRIPTION

AMC MODEL SWN-2181-2A-010-ROJ IS AN ABSORPTIVE/NON-REFLECTIVE SINGLE POLE TWO THROW SWITCH DESIGNED TO OPERATE OVER THE FULL 2 TO 18 GHz FREQUENCY RANGE WITH

## SPECIFICATIONS

- FREQUENCY RANGE: ..... 2 TO 18 GHz
- INSERTION LOSS: ..... 3.5 dB MAXIMUM
- ISOLATION: ..... 55 dB MINIMUM
- VSWR (ON/OFF): ..... 2.0:1
- RISE TIME: ..... 50 nSec MAXIMUM
- FALL TIME: ..... 50 nSec MAXIMUM
- POWER INPUT: ..... (CW)+20 dBm (STANDARD), +10 dBm (HIGH SPEED)
- SURVIVAL POWER: ..... 1 WATT CW, 10 WATTS PEAK 1 uSec
- CONTROL: ..... TTL LOGIC "0" = J1-J2 ON  
TTL LOGIC "1" = J1-J3 ON
- POWER SUPPLY: ..... +5V @ 65 mA MAXIMUM  
-12V @ 50 mA MAXIMUM
- CONNECTORS:  
RF: ..... SMA FEMALE  
CONTROL: ..... SOLDER PIN
- SIZE: ..... 0.80" (L) x 0.62" (W) x 0.38" (H)



## ENVIRONMENTAL RATINGS:

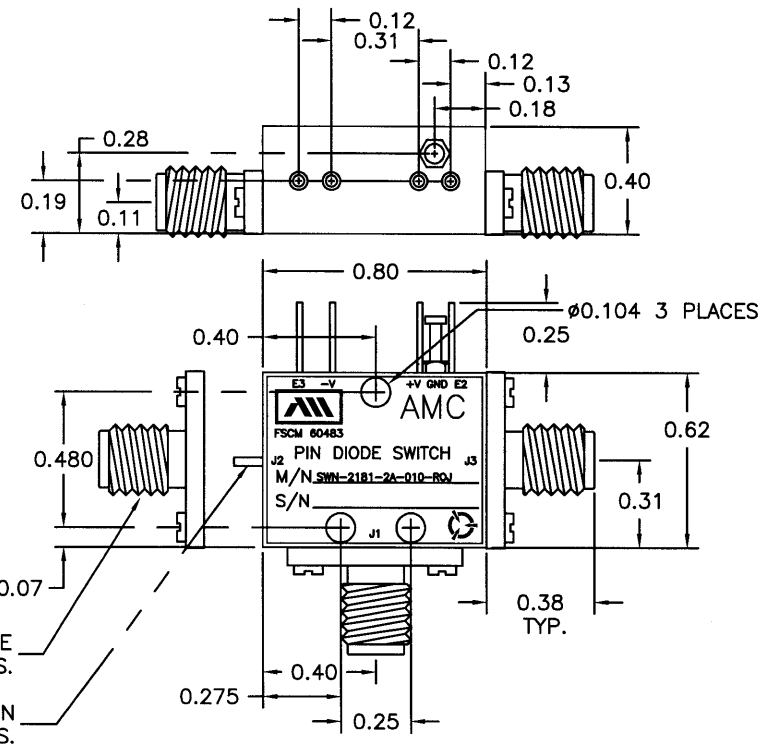
- TEMPERATURE: ..... -55°C TO +85°C (OPERATING)  
-65°C TO +125°C (STORAGE)
- HUMIDITY: ..... MIL-STD-202F, METHOD 103B COND. B
- SHOCK: ..... MIL-STD-202F, METHOD 213B COND. B
- VIBRATION: ..... MIL-STD-202F, METHOD 204D COND. B
- ALTITUDE: ..... MIL-STD-202F, METHOD 105C COND. B
- TEMPERATURE CYCLE: ..... MIL-STD-202F, METHOD 107D COND. A

NOTE: SPECIFICATIONS WILL VARY OVER OPERATING TEMPERATURE  
NOTE: THE ABOVE SPECIFICATIONS ARE SUBJECT TO CHANGE OR REVISION

LOGIC TABLE		
LOGIC	RF ON	RF OFF
0	J1-J2	J1-J3
1	J1-J3	J1-J2

ALL DIMENSIONS ARE IN INCHES  
TOLERANCES:  
X.XX ±0.020  
X.XXX ±0.010

REVISIONS				
ZONE	REV.	DESCRIPTION	DATE	APPROVED
	-	ORIGINAL RELEASE JOB# 502060X	3/19/05	



## AMERICAN MICROWAVE CORPORATION

7311-G GROVE ROAD  
FREDERICK, MARYLAND 21704 USA  
TEL: 301-662-4700 FAX: 301-662-4938  
WEBSITE: [www.americanmicrowavecorp.com](http://www.americanmicrowavecorp.com)  
E-MAIL: [sales@americanmicrowavecorp.com](mailto:sales@americanmicrowavecorp.com)  
ISO 9001:2000 CERTIFIED



APPROVALS		DATE	TITLE		
DRAWN <i>JDJ</i>		3/19/05	PRODUCT FEATURE		
CHECKED			SWN-2181-2A-010-ROJ		
ISSUED			2 - 18 GHz. SINGLE POLE TWO THROW SWITCH		
SIZE	FSCM NO.	DWG NO.	REV.		
A	60483	100-7387	-		
SCALE N:S			SHEET 1 OF 3		